



NFP Preamp

The NFP is a filter preamp alike the ones seen on basses like the Alembic or Wal.

Being a Low Pass Filter, it lets all bass frequencies pass through up to 4 KHz where it forms a resonant peak and starts cutting after that.

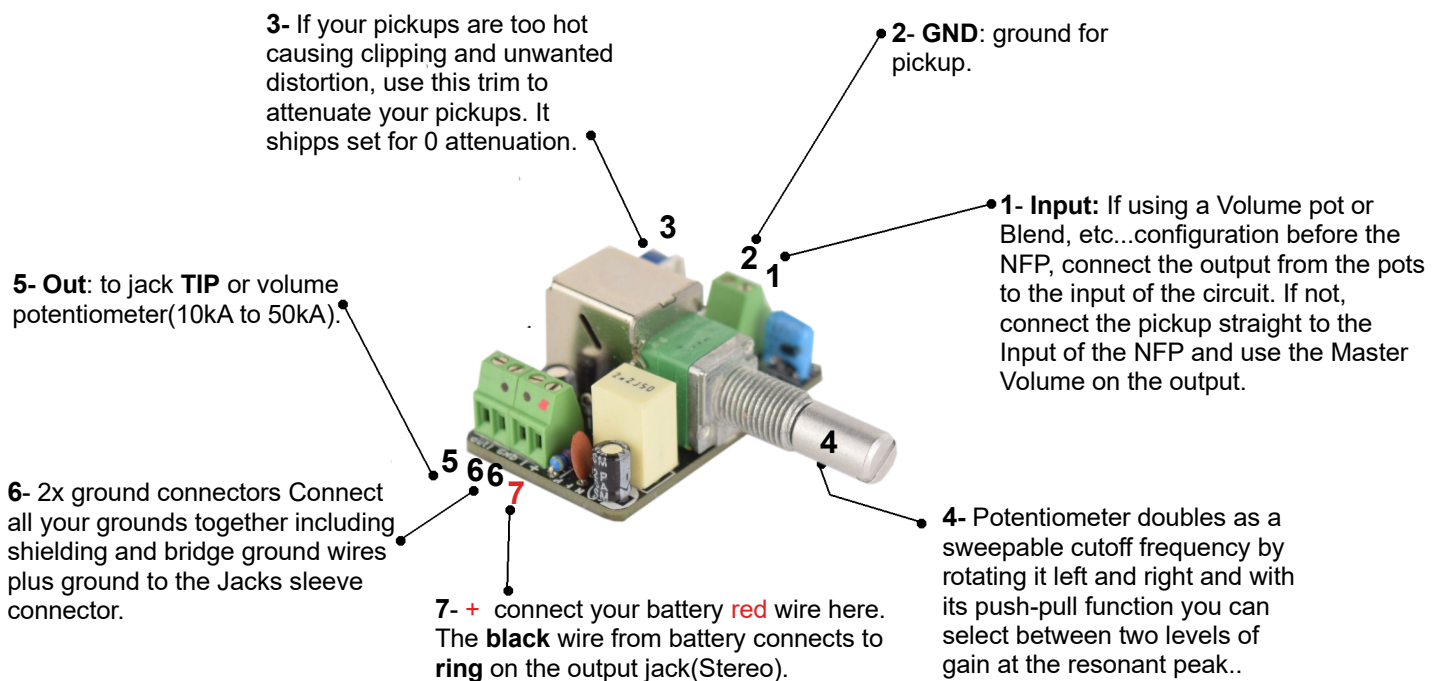
The potentiometer allows you to sweep the cutoff frequency(resonant peak), within a range of 150hz to 4 khz, and you can boost the cutoff point by pulling up on the potentiometer's switch (push-pull).

The NFP was designed to run between **9** and **27** volts and it has a power consumption of +- **2** mAh (@9v).

Board: W: 3.1cm; H: 2.3cm; D: 1.7cm

Pot dimensions: Hole size is 6.35mm, and bush height is 10mm.

Important Note: To avoid mechanical failure of the Filter boards, **do not** overtighten the nuts on the potentiometers when mounting the preamp.



www.lusithanddevices.com

Contact: nuno@lusithanddevices.com

Warranty and Conditions: Any of our products, that are defective, will be replaced/ fixed and all expenses will be covered once it has been verified that the problem isn't a result of bad handling or negligence on the owners part. If the damage is due to negligence or wrong handling, warranty is lost and a cost can occur for the devices repair (the shipping costs will not be covered on such cases).

Warranty is valid for 2 years after the date of purchase.